



# EVOLUTION

Surgical procedures have evolved...



So have we.

ELECTRO-HYDRAULIC SURGICAL TABLE  
T800 SERIES

**AMTAI**  
USA

# AESTHETICS TECHNOLOGY ERGONOMICS MATERIAL

## Versatility Comfort Intelligence Reliability

The T800 series sets a new precedent in its achievement of an innovative, compact design while maintaining enough clinical versatility to accommodate surgical procedures in nearly all fields, including urology, neurology, orthopedics and cardiology.

Designed to simplify patient positioning, the table also features a notably sturdy and low-profile base, ensuring surgeon comfort, thus reducing fatigue during long procedures.

The ergonomic hand pendant is backlit, facilitating its operation during endoscopic surgery.

The intelligent design of the table provides benefits such as remarkable C-arm access, self diagnosis with instant error code display and the prevention of sectional conflict.

In addition to the durable and rust-free components, the T800 also incorporates several fail-safe functions to ensure its continuous operation:

AC Power → DC Power

Hand Pendant → Override Control System

Hydraulic Power Unit → Foot Pump

Valve Motor → Position Selector Knob

Complete Failure of Electrical System → Manual Hydraulic System

Another critical safety feature is the use of pilot check valves directly on the hydraulic cylinders to prevent the table top from drifting down in the event of hydraulic tube rupture.



Basic Model	Optional Functions (multiple choice)						Voltage (single choice)	
T800	L: power floor lock	S: table slide	K: kidney elevator	P: foot pump	N: low profile	D: double-joint head section	.1: 110 Vac	.2: 220 Vac





MATERIAL

AESTHETICS

ERGONOMICS

TECHNOLOGY

# VERSATILE, EASY-TO-USE & INNOVATIVE

## 800 lb (363 kg) Patient Weight Rating

Superior weight capacity throughout all articulations.

## 12.2" (31cm) Longitudinal Slide

12.2" Longitudinal Slide with slim central column and low-profile base facilitate maximum C-arm access.

## Double-joint Head Section

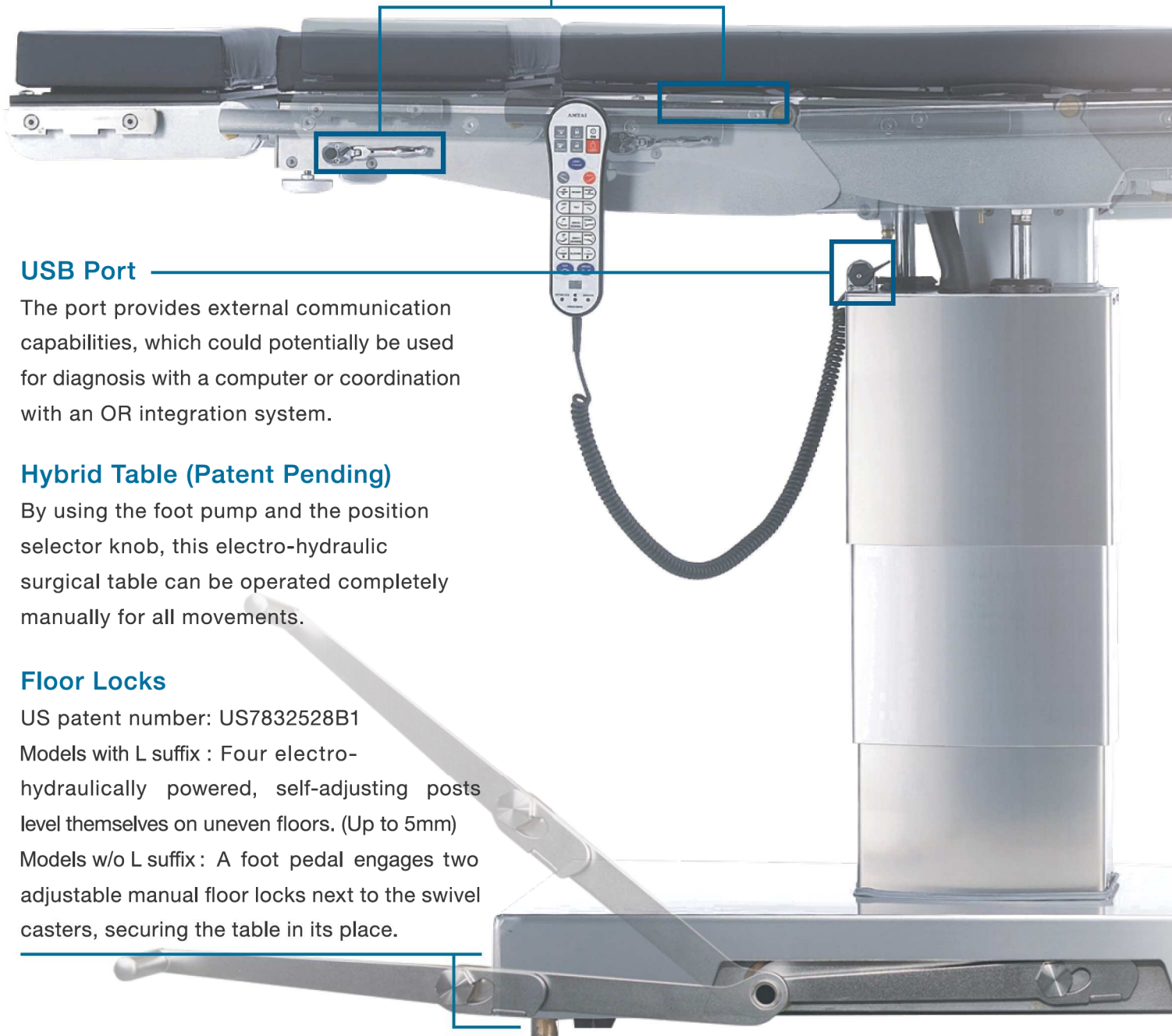
Instead of a regular head section, a double-joint head section will be equipped for table models with D suffix.

## Pressure Relief Mattresses

The weld-seam mattresses, which are watertight, flame-retardant, antistatic and antibacterial, disperse pressure thus preventing patient bedsores. The 6 cm thick mattress gives the best balance between patient protection and X-ray attenuation for protecting the health of surgical team when using a C-arm.

## Kidney Elevator

Made of carbon fiber for X-ray translucency, the kidney elevator is manually operated with a built-in ratchet wrench so that pressure on the patient can be monitored.



## USB Port

The port provides external communication capabilities, which could potentially be used for diagnosis with a computer or coordination with an OR integration system.

## Hybrid Table (Patent Pending)

By using the foot pump and the position selector knob, this electro-hydraulic surgical table can be operated completely manually for all movements.

## Floor Locks

US patent number: US7832528B1

Models with L suffix : Four electro-hydraulically powered, self-adjusting posts level themselves on uneven floors. (Up to 5mm)

Models w/o L suffix : A foot pedal engages two adjustable manual floor locks next to the swivel casters, securing the table in its place.



## Interchange of Head Section and Leg Sections

Interchangeable sections (designed to operate seamlessly in reverse orientation) provide the maximum X-ray translucent distance to the surgeon. The hand pendant can be switched into reverse mode to facilitate the operation.

## Detachable Split Leg Section

Split legs can be opened for better patient access, or they can be removed entirely.

## Emergency Stop Button

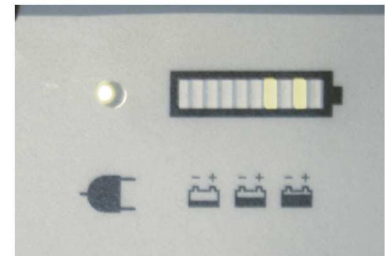
The red OFF button can be pushed to stop unexpected table movement caused by a stuck button.

## Tabletop Leveling

Tabletop is always leveled according to the Earth's gravitational force.

## Hand Pendant

- ◆ The hand pendant's backlit display illuminates the buttons, an essential feature for endoscopic surgery.
- ◆ The intelligent patient orientation function interprets positioning commands automatically according to the selected orientation.
- ◆ Functions such as LEVEL, FLEX and REFLEX help to quickly and safely position the patient.
- ◆ Most of the possible sectional conflicts are paused by the control system. The user is informed by the INTERLOCK indicator light and a warning sound.



## Self-diagnosis with Instant Error Code Display

When the Service LED on the hand pendant is lit, the battery level indicator on the base panel displays a service code used for diagnosis.



## Safety Clark Socket

Safety Clark sockets can be fastened to the side rails without having an accessory attached. This helps to prevent accidental drops and allows accessories to be positioned and secured more easily.



## Override System

The override control system with the manual selector knob of rotary valve (Patent No.: US 8,459,173 B2) allows operation of all table movements from the non-sterile area should the hand pendant become inoperative.



## Built-in X-ray Cassette Channels

Having 14" wide X-ray cassette channels beneath all sections (except the leg section) eliminates the need for X-ray tabletops, thus making tabletop articulations possible and increasing patient safety.

### Gynecology and Laparoscopy



### Lithotomy Position



The versatile design of the perineal cutout combined with the use of J stirrups, leg holders, or adjustable stirrups gives excellent, on-demand surgical access during gynecologic, abdominal, urologic, lithotomic, and laparoscopic surgeries. The unobstructed radiolucent tabletop and low-profile base supply the surgeon with superior image coverage and ample KUB (kidneys, ureters, and bladder) access, while leaving room for the fluid collection system.

#### Essential Accessories

- J Stirrups or Leg Holders with Safety Clark Socket (2) or adjustable stirrups with Side Rail Locks (2)
- Plastic Drain Pan or Uro Catcher System with Fluid Collector Bags
- Lateral Supports (2) with Side Rail Locks (2)
- Leg Holders with Safety Clark Socket (2)
- Anesthesia Screen with Clark Socket (1)
- Restraint Strap
- Arm Boards
- Drain Pan

### Split Leg Position



Allows for maximum access to the patient during laparoscopy and lower extremity orthopedic procedures.

#### Essential Accessories

- Left and Right foot rests with Safety Clark Sockets (2)
- Lateral Supports (2) with Side Rail Locks (2)
- Restraint Strap
- Arm Boards

### Gall Bladder and Thoracic



Table flexibility allows for optimal exposure of the operative area.

#### Essential Accessories

- Left + right foot rests with Safety Clark Sockets (2)
- Anesthesia Screen with Safety Clark Socket (1)
- Lateral Supports (2) with Side Rail Locks (2)
- Restraint Strap
- Arm Boards

## Lateral Kidney and Thoracic

**Surgery** (The use of a double-joint head section is recommended.)



The patient can easily be situated laterally, and use of the flex function and/or kidney elevator aids surgical access.

### Essential Accessories

- Multi-task Arm Board with Safety Clark Socket (1)
- Anesthesia Screen with Safety Clark Socket (1)
- Lateral Supports (3) with Side Rail Locks (3)
- Foot Rests with Safety Clark Sockets (2)
- Perineal Cutout Filler Piece
- Restraint Strap
- Arm Board

## Nissen Fundoplication



The head section can be connected to the seat section, which provides excellent support to the patient and is manually adjustable during surgery. This eliminates the need of reverse Trendelenburg straps and power-lift stirrups, while maintaining maximum endoscopic access to the esophagus and stomach area.

### Essential Accessories

- Multi-task Arm Boards with Safety Clark Socket (2)
- Lateral Supports (2) with Side Rail Locks (2)
- Adjustable Stirrups with Side Rail Locks (2)

## Seated Position



The T800 in normal orientation creates ample leg room for the seated position, and its extensive articulation of the back section provides excellent surgical access. 30° Trendelenburg movement forms an ideal angle for Extracorporeal Membrane Oxygenation (ECMO) technique.

### Essential Accessories

- Multi-task Arm Boards with Safety Clark Socket (2)
- Lateral Supports (2) with Side Rail Locks (2)
- Foot Rests with Safety Clark Sockets (2)
- Restraint Strap

## Shoulder Surgery (Arthroscopy)



The leg sections are removed and the pneumatic shoulder attachment is connected to either the back or seat section, providing comfortable anterior and posterior access to the shoulder area.

### Essential Accessories

- Multi-task Arm Board with Safety Clark Socket (1)
- Lateral Support with Side Rail Locks (1)
- Pneumatic Shoulder Attachment
- Restraint Strap



### Knelling Position



### Neurosurgery (thoracic vertebra)



### Neurosurgery (cervical vertebra)



Opening the T800's split leg sections provides excellent access during rectal surgery with the patient in kneeling position. For lumbar spine surgery, the foot supports should be removed, and the angle of the leg sections should be adjusted to level or close to level for better C-arm access (position not shown). The T800 also gives the surgeon excellent access to the thoracic vertebra or cervical areas during spinal neurosurgery.

#### Essential Accessories

- Dorsal Cushion or Spinal Frame or Radiolucent Spine Surgery Frame
- Left and Right foot rests with Safety Clark Sockets (2)
- Morgan Pelvic Rest with Safety Clark Sockets (2)
- Lateral Supports (2) with Side Rail Locks (2)
- Multi-positioning Base Unit
- Horseshoe Headrest
- Swivel Adaptor
- Restraint Strap
- Arm Boards

### Ophthalmic and Plastic Surgery



The T800 provides a comfortable working environment for a seated surgeon and ample room for necessary equipment. With "N" option, the height of the tabletop can reach to 55 cm.

#### Essential Accessories

- Ophthalmic Headrest with Surgeon Wrist Support
- Foot Controller
- Restraint Strap
- Arm Boards



### Neurosurgery (Prone Brain)



### Neurosurgery (Lateral Brain)



### Neurosurgery (Seated Brain)



The T800 provides ample space beneath the tabletop for prone, supine, lateral, and upper craniotomy. It also gives the surgeon excellent access to the cranial area. With the “N” option, the height of the tabletop can reach to 55 cm.

#### Essential Accessories

- Crossbar Adapter for Base Unit with Safety Clark Socket (2)
- Multi-Task Arm Boards (2) with Clark Socket (2)
- Lateral Supports (2) with Side Rail Locks (2)
- Skull Clamp with Skull Pins
- Multi-positioning Base Unit
- Swivel Adaptor
- Restraint Strap
- Arm Boards

### Cardiovascular in Reverse Orientation



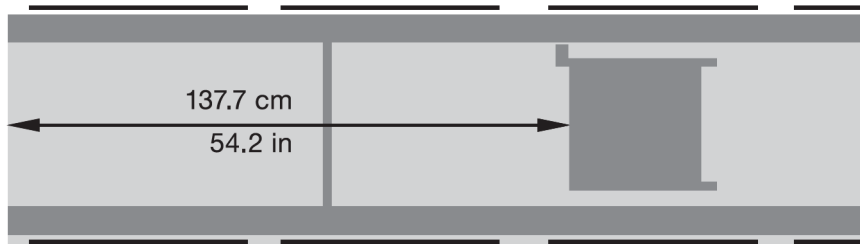
The T800 in reverse orientation provides ample C-arm access for cardiovascular surgery and femoro-popliteal bypass surgery.

#### Essential Accessories

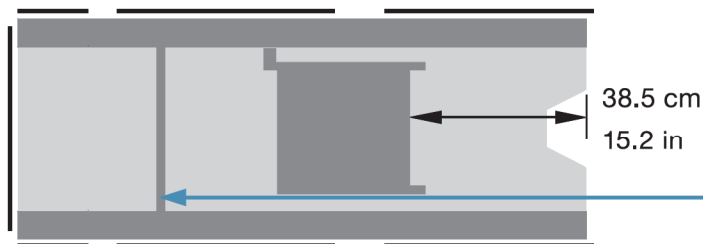
- Perineal Cutout Filler Piece
- Restraint Strap
- Arm Boards

# C-ARM IMAGE COVERAGE

## Models with the S option



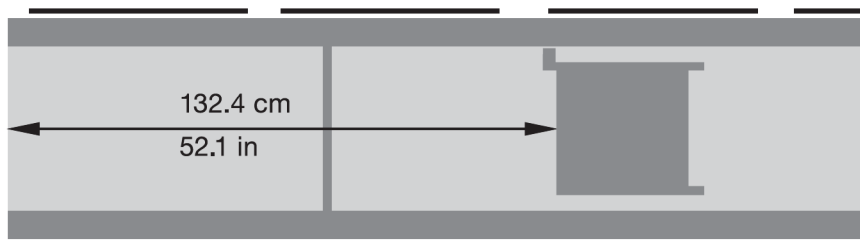
**UPPER BODY**  
Reverse orientation  
slid to leg end



**LOWER BODY**  
Normal orientation  
slid to leg end

This bar is present  
only with models  
without the K suffix

## Models without the S option



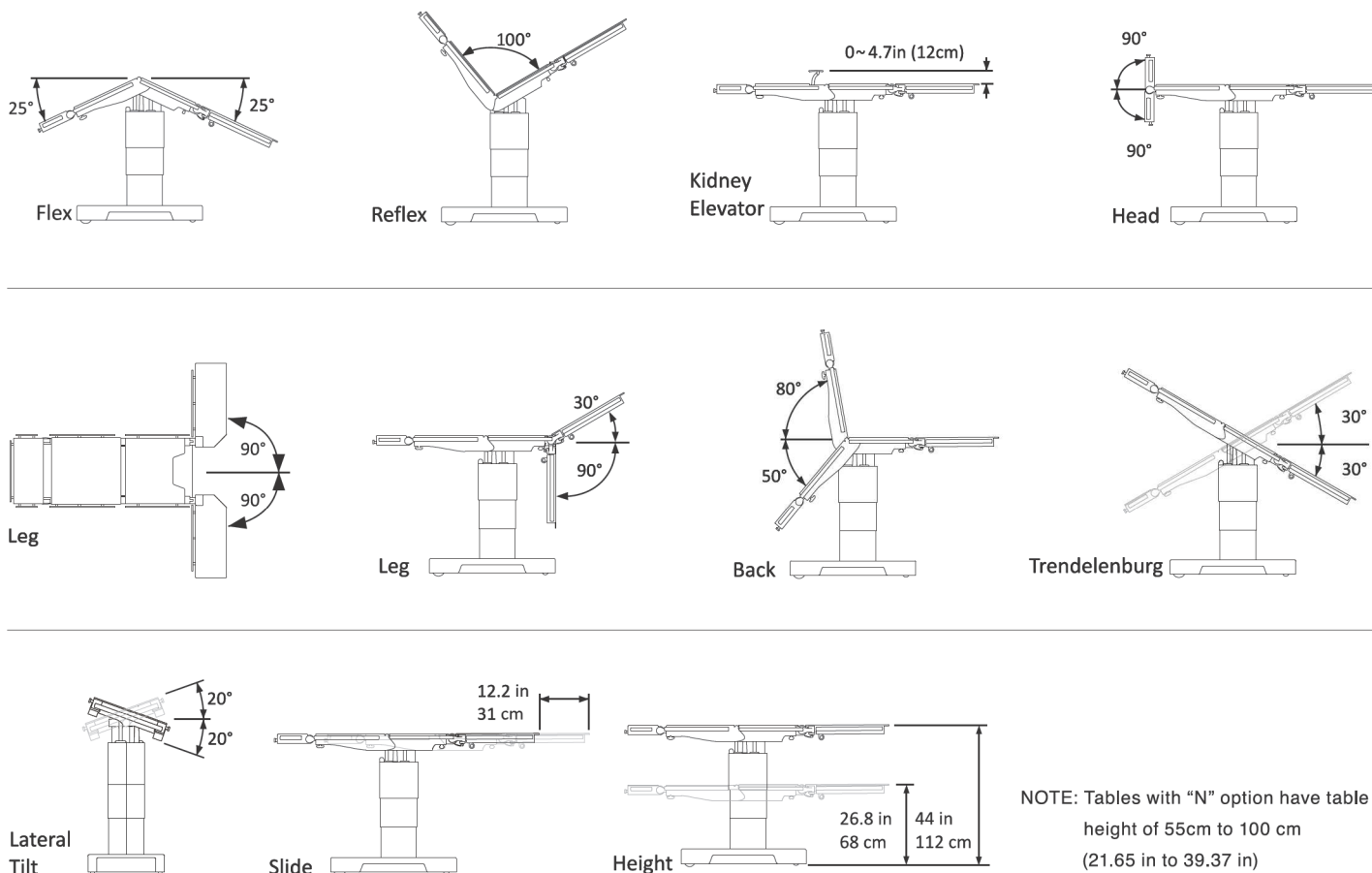
**UPPER BODY**  
Reverse orientation



**LOWER BODY**  
Normal orientation

This bar is present  
only with models  
without the K suffix

# RANGE OF TABLE MOVEMENTS



# ACCESSORY LIST

Item ID	Description	Item ID	Description
ACC0002	Safety Clark Socket, for 3/8" x 1 1/8" Side Rail	ACC0025	Restraint Strap
ACC0004	Side Rail Locks, for 3/8" x 1 1/8" Side Rail	ACC0028	Dorsal Cushion
ACC0006	Anesthesia Screen	ACC0029	Morgan Pelvic Rest
ACC0007	Winged Anesthesia Screen	ACC0030	Uro Catcher System
ACC0008	Infusion Stand	ACC0031	Fluid Collector Bags
ACC0009	Arm Board	ACC0032	Deep Plastic Drain Pan
ACC0010	Multi-Task Arm Board	ACC0034	Drain Pan
ACC0012	Hourglass Table	ACC0035	Adjustable Headrest Adapter
ACC0013	Shoulder Support (Left)	ACC0036	Ophthalmic Headrest with Surgeon Wrist Support
ACC0014	Shoulder Support (Right)	ACC0041	Transfer Board
ACC0015	Lateral Support	ACC0043	Pneumatic Shoulder Attachment
ACC0017	Perineal Cutout Filler Piece, Carbon Fiber	ACC0045	Foot Controller
ACC0018	Perineal Cutout Filler Piece, Stainless Steel	ACC0048	Cassette Top for T800 Series
ACC0019	Leg Holder	ACC0049	Cassette Top for T800K Series
ACC0020	J Stirrup	ACC0051	Table Width Extender
ACC0023	Left Foot Rest	ACC0053	Elite Stirrups
ACC0024	Right Foot Rest	ACC0062	T800 Orthopedic Extension

Please refer to the Accessory Catalog for comprehensive product information.

Duty Cycle: 100% with foot pump or 50% w/o foot pump (operate 5 minutes and rest 5 minutes)  
 Power Requirements  
 AC 110V / 300 VA, 50 / 60 Hz or  
 AC 220V / 300 VA, 50 / 60 Hz; single phase

Battery Capacity  
 Battery set: 24V, 14 Ah  
 (12V / 14Ah \*2, per each table)





**THE T800 SERIES  
SURGICAL TABLE**



**AMTAI Medical Equipment, Inc.**  
**An ISO 13485 and ISO 9001 Certified Manufacturer**

**7711-106 Welborn St.,  
Raleigh, NC 27615,  
USA**

**Tel: +1 919-872-1803  
Fax: +1 919-713-4145  
sales@amtai.com  
service@amtai.com  
www.amtai.com**

**Advanced Medical Technology And Innovation**

**AMTAI  
USA**